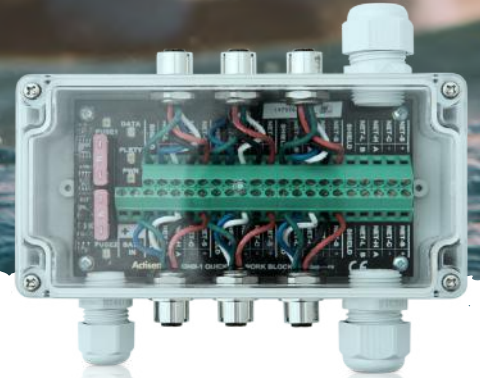


QNB-1 QUICK NETWORK BLOCK



Fault-free NMEA 2000® backbone connections.

The Actisense® Quick Network Block (QNB-1) allows backbone networking connections to be made easy and fault-free on National Marine Electronics Association (NMEA) buses and networks.

The QNB-1 is a multi-drop NMEA 2000® network backbone connection block, adhering to the barrier strip connection type detailed in the NMEA 2000® specification documents.

To protect the power hookup, a fused connection is provided to the network backbone.

This allows the current to be limited to the safe level for the network. Two fuses are provided, each powering two halves of the QNB-1, meaning that if the fuse blows to one half of the system, the other half

can remain powered.

In the simplest configuration, the QNB-1 can also be used as a simple fused IP66 sealed power connection block.

LED indicators show power status, detect power reversal, and show whether the fuses are still intact.

In addition, an indicator is provided to show the presence of data on the connected bus or network.

No software or setup is required. The installation manual provided with the QNB-1 provides example connection diagrams to aid the user with setting up their network.

The QNB-1-PMW version is fitted with six standard NMEA 2000® M12 (micro-fit) female connectors which allow 'plug and play' connections for quick and easy installation.

Benefits

One unit provides six NMEA 2000® drop connections

Power feed is fuse protected

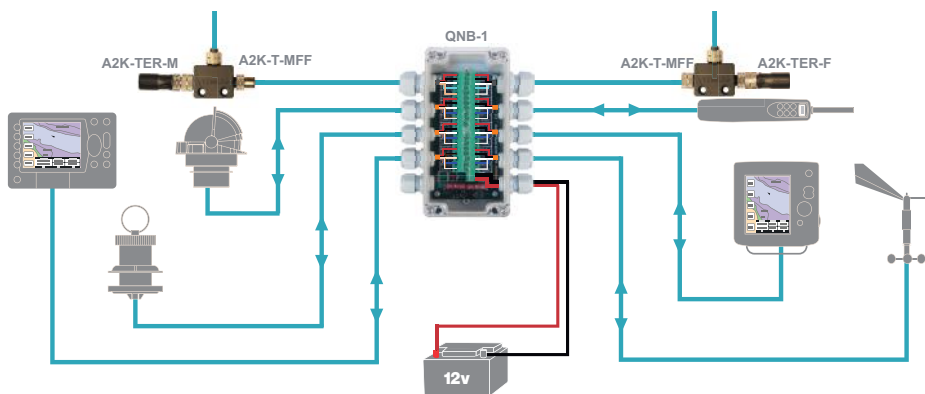
Simple installation on Mini and Micro networks

Features:

NMEA 2000® barrier strip connections

Backbone connections for both Mini and Micro cable

Four power LEDs & one data LED

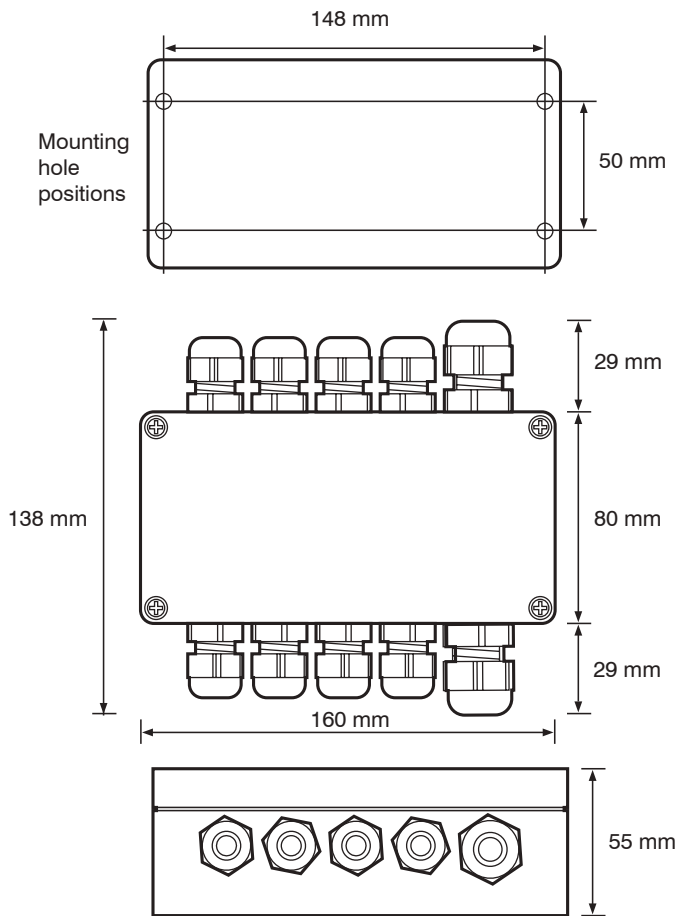


QNB-1 Specifications



| Electrical | |
|---|--|
| Supply voltage | 10-35V DC |
| Supply current, Supply voltage 12/24v (no load) | 10mA |
| | 10mA |
| Micro cable fused protection | 8A |
| Mini cable fused protection | 16A |
| Input/Outputs | |
| Baud rate | 4800 - 250000 baud |
| Mechanical | |
| M16 gland clamping range | 4.5 - 10 mm |
| M20 gland clamping range | 6 - 12 mm |
| QNB-1-PMW drop connections | DeviceNet Standard, M12, Micro-C, female |
| Approvals & Certifications | |
| Ambient temperature | -20 - 70 °C |
| Guarantee | 3 Years |
| NMEA 2000 Certified | |

Product Dimensions



QNB-1 PMW.

