

Actisense® NGX-1 NMEA 2000® GATEWAY QUICK START GUIDE



POWERING THE DEVICE

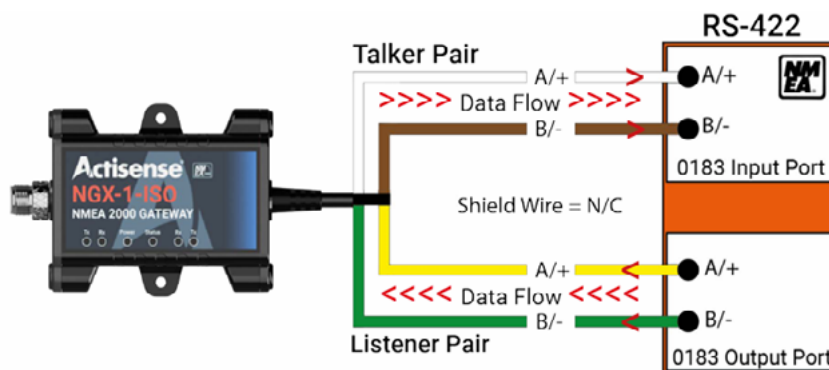
Both the USB and ISO Variants are powered from the NMEA 2000 bus by connecting the device to an NMEA 2000 backbone via the M12 connection.

CONNECTING THE DEVICE USB

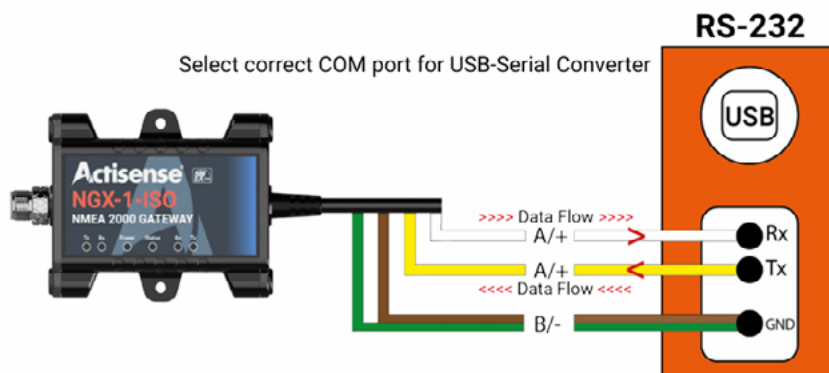
Plug the USB cable into your laptop / PC. The device will show in both the USB and VCP in 'Device Manager' on a Windows OS if the drivers install correctly.

If you are using a MAC OS device, the FTDI drivers are installed, or Apple's own drivers are used, depending on the MAC OS version.

ISO - CONNECTING TO AN NMEA 0183(RS-422) INSTRUMENT OR USG-2



ISO - CONNECTING TO AN NMEA 0183(RS-232) INSTRUMENT



CONFIGURING THE NGX-1

For detailed instructions on configuring the NGX-1, refer to the [NGX-1 User Manual](#) or the [NGX-1 Toolkit Manual](#).